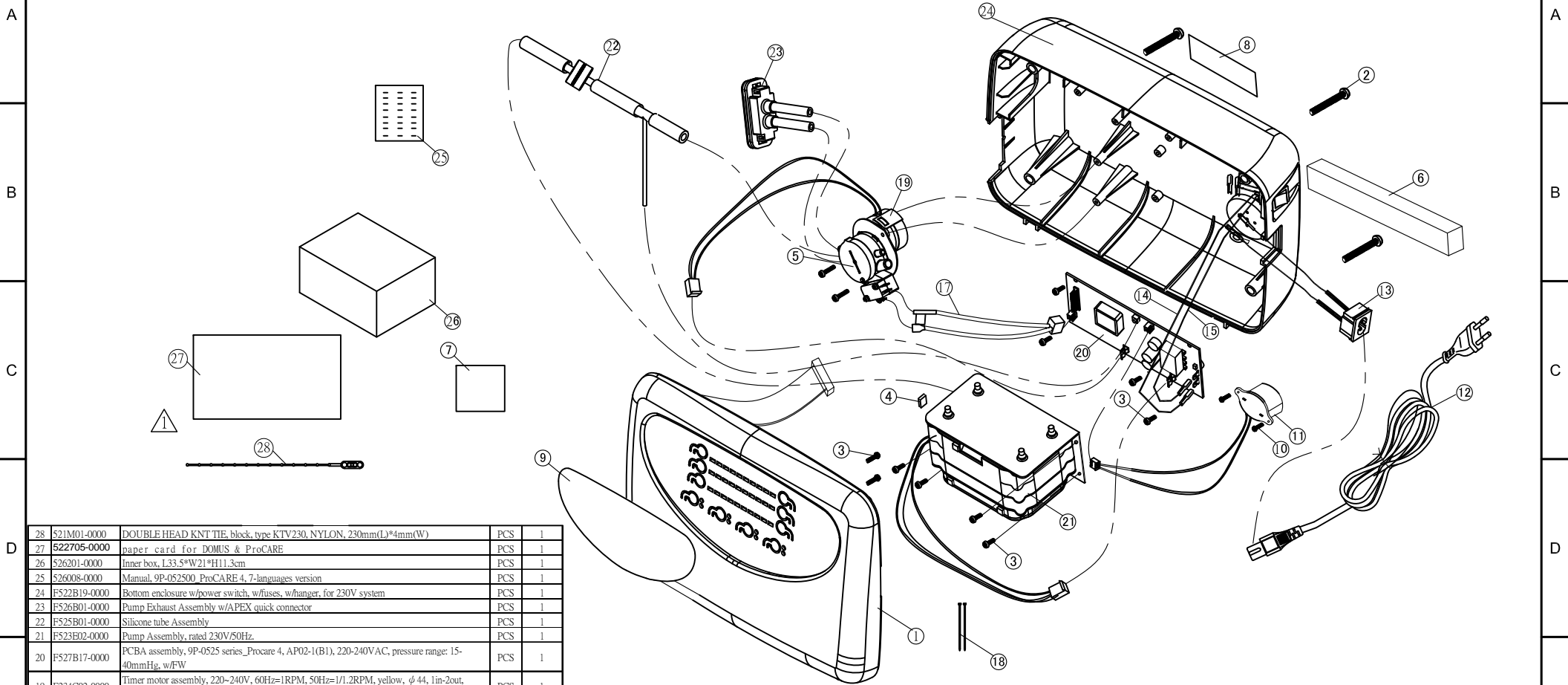


Dimension comment			
Item	Code	Size	Remark

Modify Ver.	Region	Reason	Description	Date/Modifier
0	ALL	9C12003	New Drawing	2012.11.23/Allie
1	1C	ECR13077	ADD. paper card	2013.05.10/Vicky



28	521M01-0000	DOUBLE HEAD KNT TIE, block, type KTV230, NYLON, 230mm(L)*4mm(W)	PCS	1
27	522705-0000	paper card for DOMUS & ProCARE	PCS	1
26	526201-0000	Inner box, L33.5*W21*H11.3cm	PCS	1
25	526008-0000	Manual, 9P-052500_ProCARE 4, 7-languages version	PCS	1
24	F522B19-0000	Bottom enclosure w/power switch, w/fuses, w/hanger, for 230V system	PCS	1
23	F526B01-0000	Pump Exhaust Assembly w/APEX quick connector	PCS	1
22	F525B01-0000	Silicone tube Assembly	PCS	1
21	F523E02-0000	Pump Assembly, rated 230V/50Hz	PCS	1
20	F527B17-0000	PCBA assembly, 9P-0525 series_Procare 4, AP02-1(B1), 220-240VAC, pressure range: 15-40mmHg, w/FW	PCS	1
19	F234C02-0000	Timer motor assembly, 220-240V, 60Hz=1RPM, 50Hz=1/1.2RPM, yellow, φ44, 1in-2out, ventilated hole φ 1.7, w/micro switch	PCS	1
18	881M04-0000	NYLON CABLE TIES.	PCS	2
17	974203-0000	PCB static lead wire. White color. JST terminal 2PIN+187 lead wire/205-5 L Type terminal. 30 CM length	PCS	1
16	992707-0000	Barcode label, W6.5*H1.2cm	PCS	2
15	404219-0000	Leader wire, blue, 15cm, w/187 terminal*2 pcs.	PCS	1
14	524201-0000	Leader wire, brown, 15cm, w/187 terminal*2 pcs.	PCS	1
13	524106-0000	Power cord socket, w/Leader wire, 80mm, w/110 terminal*2 pcs.	PCS	1
12	524117-0000	Pan Europe 2 pin plug, H03VVH2-F, 0.75mm2*2C, 16 feet	PCS	1
11	504001-0000	Buzzer, 3-24V/3.8KHz, 95 dB.	PCS	1
10	505001-0000	Screw, M2*L8mm.	PCS	2
9	522112-0000	Panel label , 9P-052500_ProCARE 4	PCS	1
8	522412-0000	Rating label, 9P-052500_ProCARE series, 220-240VAC 50Hz	PCS	1
7	522113-0000	Panel label for ProCARE series, 200mm*50mm, 7-languages version	PCS	1
6	523101-0000	Foam, EVA, black, . L138*W14*H11.8mm	PCS	1
5	885012-0000	Screw, M3*L=16mm	PCS	2
4	663117-0000	Foam, black.	PCS	0.05
3	885018-0000	Screw, M3*L10mm.	PCS	8
2	885010-0000	Screw, M3*L=20mm.	PCS	4
1	F520A11-A394	Top enclosure w/control PCB	PCS	1

General tolerance(mm)		Material	NA	雁博股份有限公司 APEX MEDICAL CORP			
0.5-6	±0.1	Surf. process	NA	Draw Name	●幫浦 9P-052500_Procare4		
6-30	±0.2	Hardness	NA		Draw No.	FP052014	
30-120	±0.3	Color	NA	Scale		NA	Unit
120-315	±0.5	Drawn by	Allie		Page	1/1	Ver.
315-1000	±0.8	Designed by		2012.11.23			
1000~	±1.2	Checked by		Approved by			